



SMART Board® T Pro series



Display

Screen sizes (diagonal)	65" 75" 86"
Backlight	LED QLED with Full Array Local Dimming (FALD)
Aspect ratio	16:9
Maximum display resolution	4K UHD (3840 × 2160)
Refresh rate	60 Hz
Lifespan	≥ 50,000 hours
Maximum brightness¹	≥ 850 cd/m ²
Glass thickness	4 mm
Display response time	≤ 8 ms
Viewing angle	178°
Glass	Full heat-tempered Anti-glare Anti-fingerprint Bonded
Frame color	Brushed graphite
Convenience buttons	Power Volume Input select Freeze frame
Sensors	Ambient light Infrared
Audio	2 integrated 20W speakers with high fidelity audio and integrated 20W subwoofer Integrated linear 8-microphone array with support for onboard acoustic echo cancellation

Software

Included	SMART Meeting Pro® SMART Product Drivers and SMART Ink®
Optional	SMART TeamWorks™

Interactive experience

Touch technology	HyPr Touch™ with Advanced IR
Touch features	Simultaneous tool differentiation ² Object Awareness™ ³ Silktouch™
Typical touch response time	≤ 3.3 ms
Frame rate	≥ 300 Hz
Accuracy	< 1 mm
Minimum object size	≤ 1.5 mm
Multitouch capabilities	Up to 50 touch points (OS dependent)
Tools included	Pens (x2)
Tool holders	Magnetic Frame-mounted

Power consumption

Typical⁴	65": 90 W 75": 107 W 86": 128 W
Standby	<0.5 W

Inputs	Front	Back
OPS PC accessory slot	-	1
HDMI® 2.1 4K @ 60Hz with HDCP 1.4, HDCP 2.3, ARC, and eARC support ⁵	1	2

¹Brightness of individual displays can vary.

²A connected computer with SMART Product Drivers is required.

Only supported in SMART Notebook and SMART Ink.

³When connected to a computer with SMART Product Drivers

⁴Typical power consumption at 500 cd/m²

⁵ARC and eARC support are available only with the HDMI 2 input.

Inputs	Front	Back
Stereo 3.5 mm (variable)	–	1
RS-232 (DB-9 connector)	–	1
RJ45 (LAN In)	–	1
USB Type-C 4K @ 60Hz Display Port 1.2, USB 2.0 (UFP) for touch and digital audio, USB 3.2 Gen 1 (DFP) for peripherals; 100 W power delivery	1	1
USB 3.2 Gen 1 Type-A	2	3
USB 3.2 Gen 1 Type-B	1	1

Outputs	Front	Back
HDMI 2.1 4K @ 60Hz with HDCP 1.4, HDCP 2.3, ARC, and eARC support ⁵	–	1
Stereo 3.5 mm (variable)	–	1
S/PDIF optical (fixed)	–	1
RJ45 (LAN Out)	–	1

Included cables and accessories	Qty
Country-specific power cable	1
16' 5" (5 m) USB 2.0 A to B cable	1
6' (1.8 m) USB 3.2 Gen 1 Type-C cable, 5A	1
Pens	2
Remote control	1
AAA batteries	2
Illustrated installation instructions	1
Important information document	1

Connectivity

Wired RJ45 (x2) 1000BASE-T

Cable requirements

See > [SMART cables and connectors guide](https://docs.smarttech.com/kb/171926) (docs.smarttech.com/kb/171926)

Storage and operating requirements

Power requirements	100V to 240V AC, 50 Hz to 60 Hz
Operating temperature	32–104°F (0–40°C)
Storage temperature	14–140°F (-10–60°C)
Humidity	20–80% relative humidity, non-condensing

Certification and compliance⁶

Regulatory models	IDT65-1 IDT75-1 IDT86-1
US / Canada	cULus FCC ISED TSCA CONEG Packaging Proposition 65
EU / EEA / EFTA / UK	CE UKCA LVD CB EMCD REACH RoHS Battery WEEE Packaging POP Ecodesign
Australia / New Zealand	RCM
Performance standards	DOLBY VISION® ENERGY STAR® HDMI HDCP HDR10 HLG

Purchasing information⁷

Order numbers

T065-P	SMART Board® T065 Pro interactive display, QLED
T075-P	SMART Board T075 Pro interactive display, QLED
T086-P	SMART Board T086 Pro interactive display, QLED

Computing

AM60	SMART AM60 iQ appliance with Google EDLA certification for iQ enabled displays
PCM13-i5	SMART OPS PC module with Windows Pro, i5v processor
PCM13-i7v	SMART OPS PC module with Windows Pro, i7v processor
OPS power	90 W
More information	See > smarttech.com/accessories

Optional accessories

See > smarttech.com/accessories

SMART Warranty

Terms and conditions and warranty upgrade options vary by region. Visit smarttech.com/warranty or contact your reseller for information.

⁶Product availability may vary by region.

This product has received additional certifications not listed here.

⁷Order numbers may vary by region.

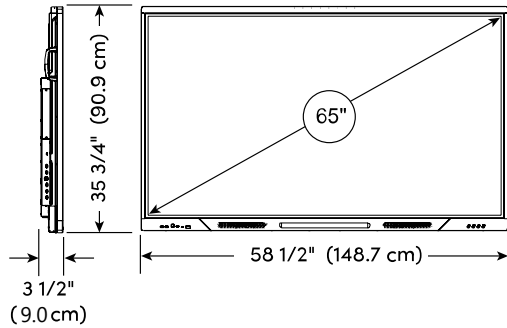
Installation, dimensions, and weights

Notes

- All dimensions ± 1/8" (0.3 cm). All weights ± 2 lb. (0.9 kg).
- Product ships upright.

65" models

Dimensions



Weight

80 lb. (36 kg)

Shipping dimensions (excluding pallet)

62 1/4" × 39 3/8" × 5 3/8"
(158 cm × 99.9 cm × 13.8 cm)

Shipping weight

100 lb. (45 kg)

VESA mount

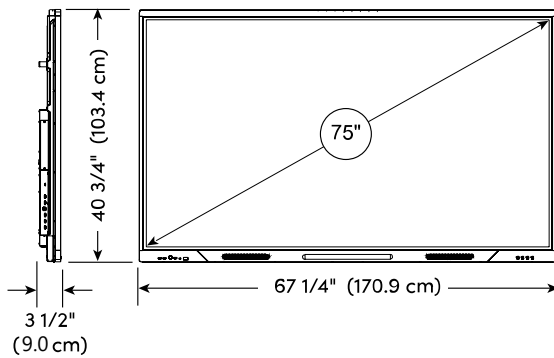
M8 | 600 × 400 mm

Handles

2

75" models

Dimensions



Weight

104 lb. (47 kg)

Shipping dimensions (excluding pallet)

70 7/8" × 44 1/4" × 5 3/8"
(180.1 cm × 112.2 cm × 13.8 cm)

Shipping weight

127 lb. (58 kg)

VESA mount

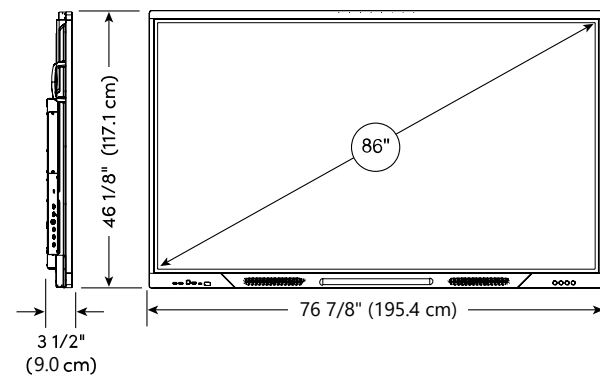
M8 | 800 × 400 mm

Handles

2

86" models

Dimensions



Weight

139 lb. (63 kg)

Shipping dimensions (excluding pallet)

80 1/2" × 49 5/8" × 5 3/8"
(204.5 cm × 126.1 cm × 13.8 cm)

Shipping weight

167 lb. (76 kg)

VESA mount

M8 | 800 × 600 mm

Handles

2

smarttech.com
smarttech.com/contact

© 2026 SMART Technologies ULC. All rights reserved. SMART Board, SMART Ink, HyPr Touch, Object Awareness, SilkTouch, smarttech, the SMART logo and all SMART taglines are trademarks or registered trademarks of SMART Technologies ULC in the US and/or other countries. The Adopted Trademarks HDMI, HDMI High-Definition Multimedia Interface, and the HDMI Logo are trademarks or registered trademarks of HDMI Licensing Administrator, Inc. in the United States and other countries. Android and Chrome OS are trademarks of Google Inc. All other third-party product and company names may be trademarks of their respective owners. This product and/or use thereof is covered by one or more of the following US patents: www.smarttech.com/patents. Contents are subject to change without notice. April 23, 2026.